



 **HANSA**
experience water

HANSANEWS 2012

WE TREASURE WHAT INSPIRES US. INTRINSICALLY. SUSTAINABLY. FOR THE PAST 100 YEARS.

Water is our element. Hansa therefore has a special sense of responsibility for the precious resource with which we work every day as a matter of course. To deliver integral quality in every sense of the word: this is the principle that has shaped our entire thinking and acting, our products and production processes for decades.

We naturally also fulfil our obligations to the environment and are well known for the continuing development of new solutions and technologies to help save water and energy. We work with high-grade, long-lived materials, for example the dezincification-resistant brass MS 63, plastics with the German KTW certification for drinking water, as well as the WATER SAFE Hi-tec functional core for maintaining existing drinking water quality.



Green Responsibility guarantees modern, ecologically sound HANSA technology, ensuring minimal resource usage and adherence to strict international guidelines. This is how we protect what we love – and preserve what always has and always will inspire us.



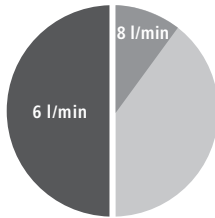
HIGH ENVIRONMENTAL AWARENESS, LOW CONSUMPTION. NATURALLY.

At Hansa, sustainable thinking is integrated into every aspect of the design and production stage and reflected in the features for day-to-day use of our products. The key issue of „saving water“ is of course at the top of our list in this respect. Therefore, the Hansa series are designed with ecological compatibility in mind, equipped with water saving technologies and offer high-level Hansa safety. Hansa ensures the lowest consumption values while meeting strict criteria using two basic concepts.

SAVE WHERE IT REALLY MAKES SENSE: WITH INTELLIGENT SOLUTIONS THAT ARE WORTH THE INVESTMENT.



Up to 50% savings by restricting the flow rate from 12 l/min to 6 or 8 l/min.

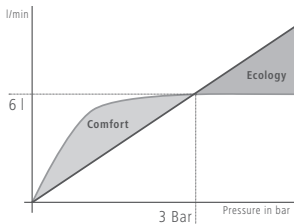


The series of the **HANSA|LIVING** segment clearly show that economic efficiency must not come at the expense of design: thanks to full and optimized stream formation, the fittings provide unlimited comfort with a considerably reduced flow rate of 6 l/min or 8 l/min.

HALF IS ENOUGH: 50% SAVINGS WITH OUR PRESSURE-INDEPENDENT FLOW RESTRICTOR.



Intelligent stream formation and limitation of the flow rate means optimized water consumption without any loss in comfort.



- normal stream former
- new stream former 6 l/min

A special stream former reduces the flow rate from 12 l/min to 6 l/min for all the new **HANSA|HOME** series. The volume of the spray has been incredibly retained even though the actual flow rate has been cut by half.



HANSALIGNA
attracts attention
without imposing
itself, and formu-
lates a clear,
modern,
expressive look.

PERFECT REFLECTION OF A STRONG CHARACTER: HANSALIGNA.

With its concept of offering sophisticated, timelessly modern design and excellent Hansa quality at an attractive price, the new HANSALIGNA won over customers right from the start.

Various elegant solutions and extravagant products increase the scope for individual bathroom planning and design – and the enthusiasm for a bathroom range that is a trendsetter, and well ahead of its time.





WORTH MORE THAN JUST A GLANCE: HANSALIGNA.

Equally as sophisticated as the visual aspect of **HANSALIGNA** is its technical standard: designed for comfort, safety and sustainability, Hansa technology guarantees optimal functionality and helps to conserve resources. Ideal is the combination with **HANSAMATRIX**. The grid-based concealed installation system enables convincing, integrated solutions for wash-basin, bathtub and shower.



Modern, design oriented, comprehensive: attractive solutions for all parts of the bathroom complete the **HANSALIGNA** series.





EMOTION AND INTELLECT IN COMPLETE HARMONY: HANSARONDA.

Harmony: no other fittings range embodies this principle as convincingly as the new HANSARONDA. After careful but stringent reworking of the design, this popular line looks young and fresh. The carefully selected product range is both contemporary and practical. The varied HANSARONDA options for basin, bath and shower allow the realisation of wide-ranging ideas and sophisticated architectural proposals.



Comfortable and very practical: the special extractable hand spray is ideal for washing hair and filling containers.

The new HANSARONDA is mighty impressive due to a pleasant combination of resolute and calming, linear and elliptical shapes.





ALWAYS DIFFERENT. ALWAYS UNIQUE: HANSARONDA.

Thanks to the ideal solutions for bathtub and shower, your HANSARONDA bathroom has it all. The well-thought-out range enables us to meet individual needs and preferences. A spectacular free-standing bath fitting, classic-modern exposed fittings, conventional or puristic-innovative concealed concepts: everything is possible, and everything is unmistakably HANSARONDA.

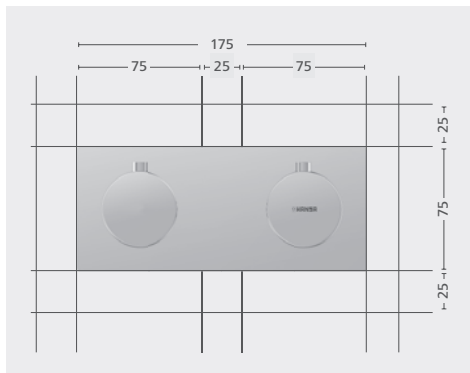
Unbeatably versatile: HANSARONDA solution based on the innovative concealed system HANSAMATRIX. All the functions are combined in a compact fashion in just a few components. By turning the HANSAMATRIX component the washbasin solution is suitable for left and right handed people.



THE PRINCIPLE OF CLARITY: HANSAMATRIX.



Thanks to HANSAMATRIX, you gain additional creative freedom for all the HANSA|LIVING series. HANSAMATRIX is an innovative product system which allows the complete realisation of high-quality architecture-driven planning as a concealed solution. The components of the HANSAMATRIX system can be combined in innumerable ways with the aid of a standardised 25mm-grid (see graphic below). Several functions can be cleverly grouped in a new component, resulting in tranquil and elegant fittings – in all bathroom areas with an identical logic as regards basin, bathtub and shower, as well as with a matching overhead shower.



NICE ON THE EYES. GOOD FOR THE ENVIRONMENT: HANSAFORM.

The name **HANSAFORM** says it all. With this new series, the exciting combination of geometrical shapes and surfaces defines a completely novel design form. Upright and confident, **HANSAFORM** has one believing that it is truly proud of its inner qualities. Materials, finish and technology are state-of-the-art.



The **HANSAFORM** concealed solutions appear modern, valent and clean.







CLASSIC AND MODERN. BEAUTIFULLY COMBINED: HANSADISC.

For anyone who needs proof that good design never goes out of fashion: HANSADISC. The softly flowing lines look modern and completely contemporary. HANSADISC indulges the senses and ennobles classically decorated bathrooms. The robust, long-lasting technology is also quietly impressive on the functional level.



Technical and formally convincing: the HANSADISC exposed solution for bath and concealed solution for the shower. In both cases the image is completed with the elegant, flat hand shower HANSAPUREJET.





HANSAVANTIS STYLE XL with pin operating-lever (left) and with solid operating-lever (right). The name is program, as the „XL“ is 15 mm higher than the standard version.

STYLISH AND SLENDER. WONDERFUL AND UNIVERSAL: HANSAVANTIS.

This clear, fresh style is unmistakable: slim and smart - HANSAVANTIS and HANSAVANTIS **STYLE** air of light-heartedness is the perfect choice for modern bathrooms. High-quality Hansa technology ensures easy operation, simple care and a reduced use of water and energy: up to 50% savings potential!



Charming alternative to the top-operated HANSAVANTIS: the side-operated HANSAVANTIS **STYLE** with its curved high spout.



FIRST CLASS DESIGN. FIRST CLASS QUALITY: HANSAPRIMO.

Optimum use of resources: HANSAPRIMO shows how it's done. Classic lines, but plenty of exciting contrast between plane geometrical surfaces and softly rounded volume. HANSAPRIMO's proportions are as modern as its water-saving capabilities for responsible use of our water resources.



Clean solution: the HANSAPRIMO exposed fitting for bath and the concealed fitting for the shower, each combined with the HANSAVIVA hand shower.



MINIMALIST DESIGN. MAXIMUM SAFETY: HANSAUNITA.



It ensures you are warm – but remains cool to the touch: The **THERMO COOL** function of the new HANSAUNITA thermostat makes showering a real pleasure. A shortened flow of hot water means the metal casing hardly heats up. The water remains at a pleasant temperature, just like the body of the thermostat: Preset to a temperature of 38°C, an additional safety lock prevents unwanted hot surges of water.

With its modern, cylindrical basic form and the very slim diameter of 38 mm make the **HANSAUNITA** very versatile and allow it to be excellently combine with the wide range of decorating styles - whether individually, shower system with a directly connected or with **HANSAVIVA** wall bar set.





[1]



[2]



[3]



LONG LIVE COMFORT! HANSAVIVA.

The HANSAVIVA range, designed with comfort in mind, includes numerous products - from shower hose to shower system - which make having a shower an unforgettable experience. In addition to the typical Hansa quality, the cutting-edge design and the extensive functions, the series is particularly impressive due to its excellent price/performance ratio and economy. Furthermore, an integrated pressure-independent flow restrictor reduces the flow rate by roughly 50%.

Due to the new VARIJET technology the water is variably distributed to the outlet jets, creating a full spray pattern for all spray types:

- [1] activating and stimulating
- [2] strong and focused
- [3] soft and generous



THE CROWNING GLORY OF OUR LOVE FOR WATER: HANSA|EDITION.



Giving form not just to the fittings, but to water: **HANSA|EDITION** implements this idea by striving for the perfect unity of design and function. The symbolic fitting and fitting combination **HANSALATRAVA**, **HANSACANYON** and **HANSAMURANO** presents water in a unique manner, fascinates, appeals to all senses. Expressive, thanks to the uncompromising design vocabulary and perfect transitions in the detail and the material: **HANSA|EDITION** is made for people who regard design as an attitude towards life and recognise the special something in the uniqueness of the fitting.

Exclusively available at :

BATHWORLD

P r e m i u m B a t h r o o m F i t t i n g s & S p a s

541a balestier road Singapore 329863

532 balestier road Singapore 329859

tel : 6352 2202 / 6355 0055 fax : 6352 2272

enquiry@bathworld.net

www.bathworld.net