


# Water is our element.

South East Asia product brochure  
2014/2015



GEBERIT GEBERIT

 **GEBERIT**

**Since the day it all began in 1874 in Switzerland, we have been defined by our experiences. Geberit has been among the pioneers of the industry and is still setting trends with comprehensive system solutions.**

With approximately 6,200 employees around the world and offices in more than 41 countries, Geberit stands for innovation, durability and ecological efficiency.

**1874** Caspar Melchior Albert Gebert (1850–1909) opens a plumber's shop in the Old Town of Rapperswil (CH). At the turn of the century, his two sons Albert Emil and Leo join the company and start the production of wooden flushing cisterns.

**1905** Albert Emil Gebert succeeds in producing the first wooden flushing cistern that is lined with lead and equipped with leaden fittings, under the brand name "Phoenix".

**1952** The first PVC flushing cistern is produced.

**1964** Introduction of the first concealed cistern.

**1999** In the year of the 125<sup>th</sup> anniversary of the company's founding, Geberit succeeds in being listed on the stock market.

**2004** Geberit takes over the German Mapress Group, the largest acquisition in company history.

**2005** Formation of Geberit International Sales AG.

**2010** The newly established Asia/Pacific headquarters in Shanghai as well as the European Geberit Logistics Centre in Pfullendorf (DE) are inaugurated and put into operation.

**2012** Geberit share included in the SMI (Swiss Market Index).

# Geberit around the world.

## Project references.



↑ Bitexco Financial Tower  
– Ho Chi Minh, Vietnam



↑ Emporia Shopping Mall – Malmo, Sweden



↑ Zayed University – Abu Dhabi, United Arab Emirates



↑ U-Town Lifestyle Centre  
– Beijing, China

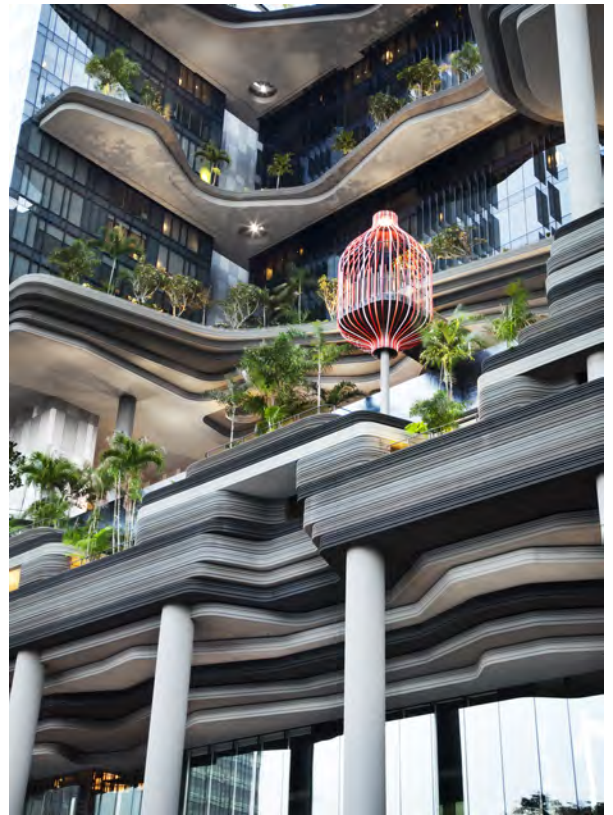
↓ Al Bahar Towers – Abu Dhabi, United Arab Emirates



↓ The Berlin Brandenburg Airport – Berlin, Germany



↓ Parkroyal on Pickering Hotel – Singapore



↓ Congress Centre – Hangzhou, China



↓ AZ Groeninge Hospital – Kortrijk, Belgium



← Schloss Schauenstein Hotel – Fürstenu, Switzerland

# Diversified sanitary products.

A complete solution for your bathroom.

## Concealed cistern & actuator plates 8



## AquaClean 18



## Monolith WC 22



## Shower drain 26



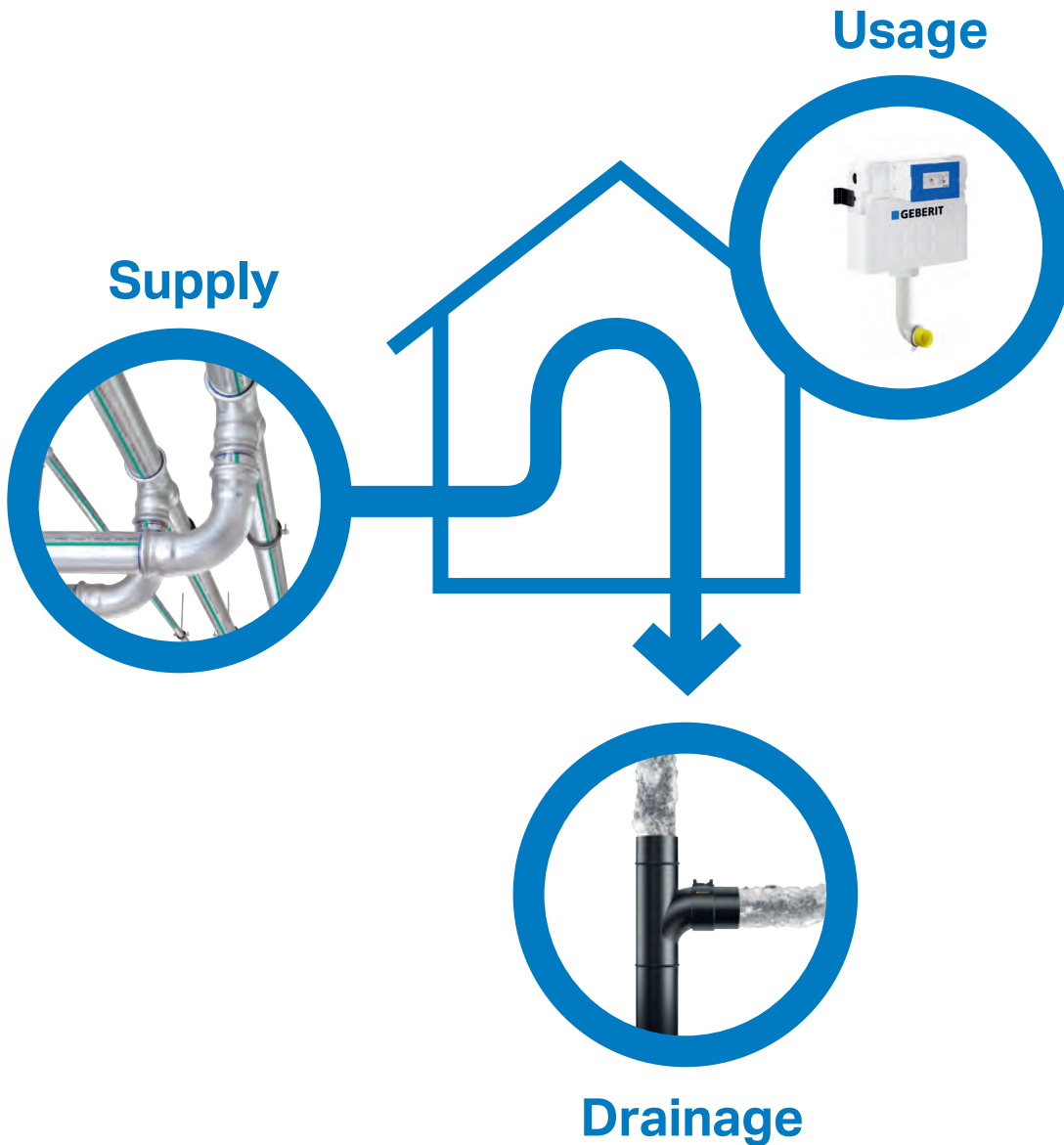
## Monolith Puro 24



## Sustainability 28

# From beginning to end.

Geberit systems deliver solutions for water supply, usage and drainage.



## Supply

Geberit supply systems are easy to install, extremely resistant to high pressures and temperatures, and also transmits minimal noise. The Geberit piping systems which can be tailored to your residences ensure that no water will be wasted and that hygiene is always of the highest standards.

## Usage

Geberit sanitary systems comprise of high performance technology which provides buildings and homes with clean water for consumption as well as for washing purposes used by the sanitary systems.

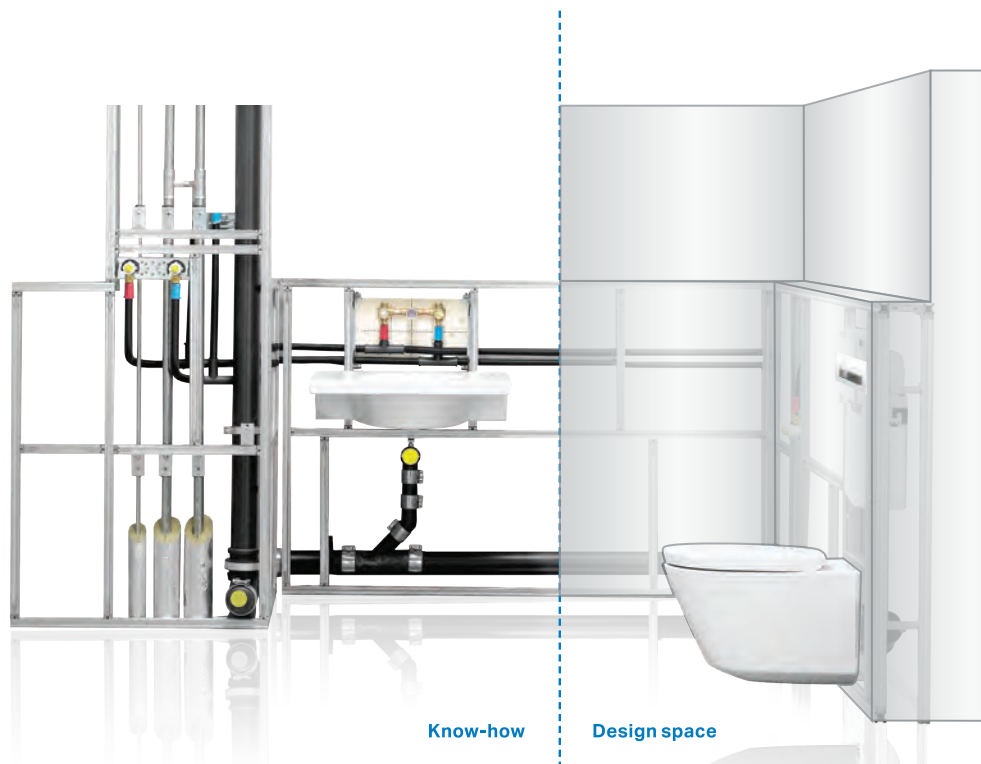
## Drainage

Geberit waste and drainage systems cover solutions for domestic, industrial and commercial applications.



# Why concealed and wall-hung?

With Geberit installation systems, the pipes, cisterns and the connections are no longer visible but hidden within the Geberit preWall installation.



Know-how

Design space

★★★★ Premium quality

One of the benefits of a concealed preWall installation is that water and drain connections no longer determine the position of the WC or urinal, but is determined by design and planning of the room. Having a preWall and wall-hung systems give you a free reign of bathroom designs. A bathroom with concealed installations will feel more spacious than a conventional bathroom; portraying elegance from floor to ceiling.

Concealed installations are more hygienic because they offer clean lines and clear surfaces, which allows easy cleaning. The wall-hung toilet makes it possible to clean the entire floor, including beneath the toilet. There is no risk of the toilet detaching from the wall as the Geberit systems are able to withstand weight up to 400kg.

👁️ Modern bathroom design

💧 4.5L 3L Reduced water costs due to dual flush

🚽 Optimisation of space for an improved interior feel

🧹 Easy cleaning, no obstacles on the floor

🏋️ 400 kg Geberit systems can withstand weight up to 400kg

🔧 Accessible any time

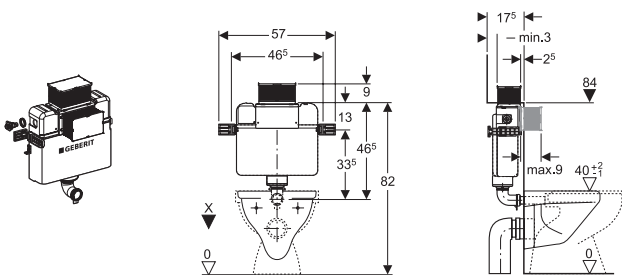
**Clearly invisible.**  
Geberit concealed cistern.



# Kappa concealed cisterns.

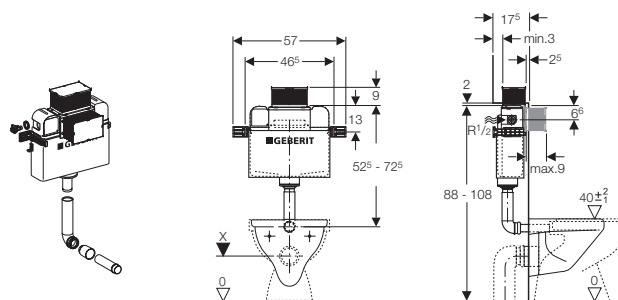


## Range Option for Front or Top Operated



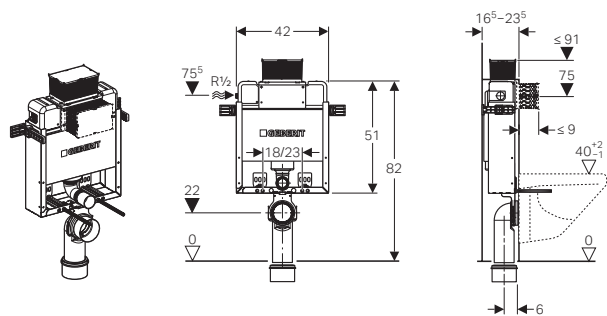
**Kappa concealed cistern,  
thickness 150mm, height 820mm**

224.364.00.1	4.5L / 3L
224.350.00.1	6L / 3L



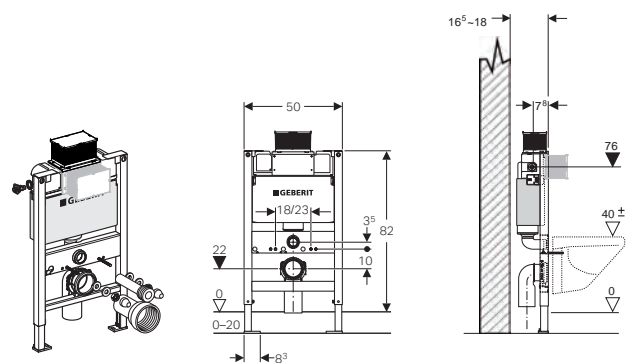
**Kappa concealed cistern,  
thickness 150mm, height 880 – 1080mm**

224.361.00.1	4.5L / 3L
224.359.00.1	6L / 3L



**Kombifix element with Kappa concealed cistern,  
thickness 150mm, height 820mm**

224.201.00.1	4.5L / 3L
224.203.00.1	6L / 3L

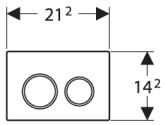


**Duofix element with Kappa concealed cistern,  
thickness 150mm, height 820mm**

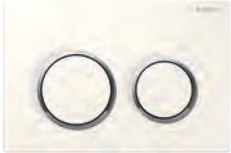
224.175.00.1	4.5L / 3L
224.170.00.1	6L / 3L

# Kappa actuator plates.

## Kappa 21



- Flush technology: dual flush
- Outer dimensions: 213 mm x 142 mm



- **115.240.KJ.1**  
White/bright chrome/white  
Product material: plastic



- **115.240.KK.1**  
White/gold-plated/white  
Product material: plastic



- **115.240.KL.1**  
White/matt chrome/matt chrome  
Product material: plastic



- **115.240.KM.1**  
Black/bright chrome/black  
Product material: plastic



- **115.240.KH.1**  
Bright/matt/bright chrome  
Product material: plastic



- **115.240.KN.1**  
Matt/bright/matt chrome  
Product material: plastic

# Applying knowledge forms values.

- Geberit owns 25 education centres worldwide
- Approximately 30,000 plumbers, architects and planners are trained on Geberit systems and software every year
- Geberit focuses on knowledge transfer and exchange of experience
- Ethical principles are adhered to in relations with all business partners, creating a basis for long term and sustained cooperation
- Geberit is also committed to fair competition in all dealings

# Care in the square



Geberit creates sustainable quality of life. With innovative water management, comprehensive know-how and a strong focus on sustainability – across all products, sectors and processes.

It's an approach that really pays off. For the environment and society, as well as customers, partners and employees. For the environment and society, as well as customers, partners and employees. For instance, developing environmentally friendly products which will benefit our future. Or with every drop of water saved by Geberit products worldwide.

That's what «Care in the squares» means to us.

*Available at :*

**BATHWORLD**

P r e m i u m   B a t h r o o m   F i t t i n g s   &   S p a s

541a balestier road Singapore 329863

532 balestier road Singapore 329859

tel : 6352 2202 / 6355 0055 fax : 6352 2272

enquiry@bathworld.net

**www. bathworld.net**